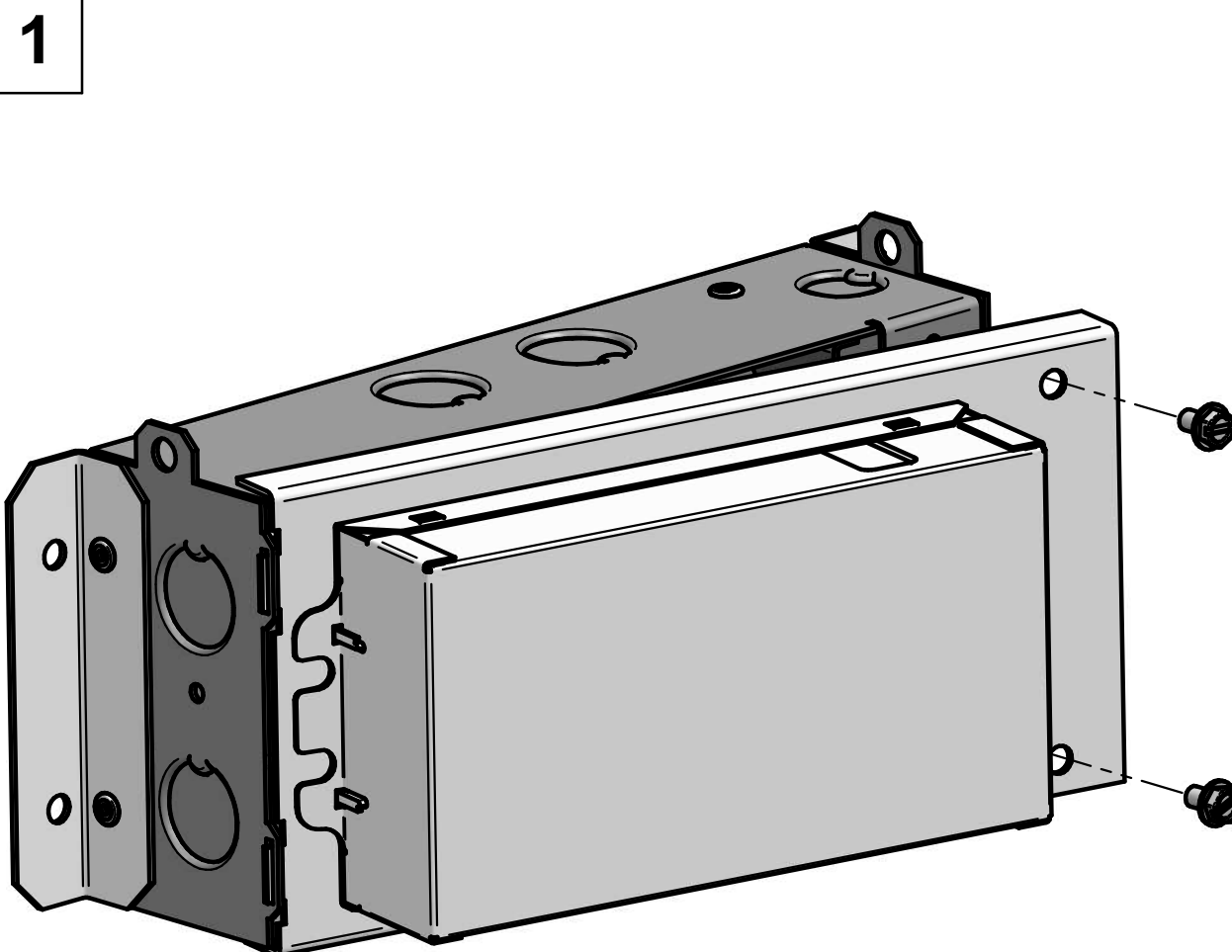
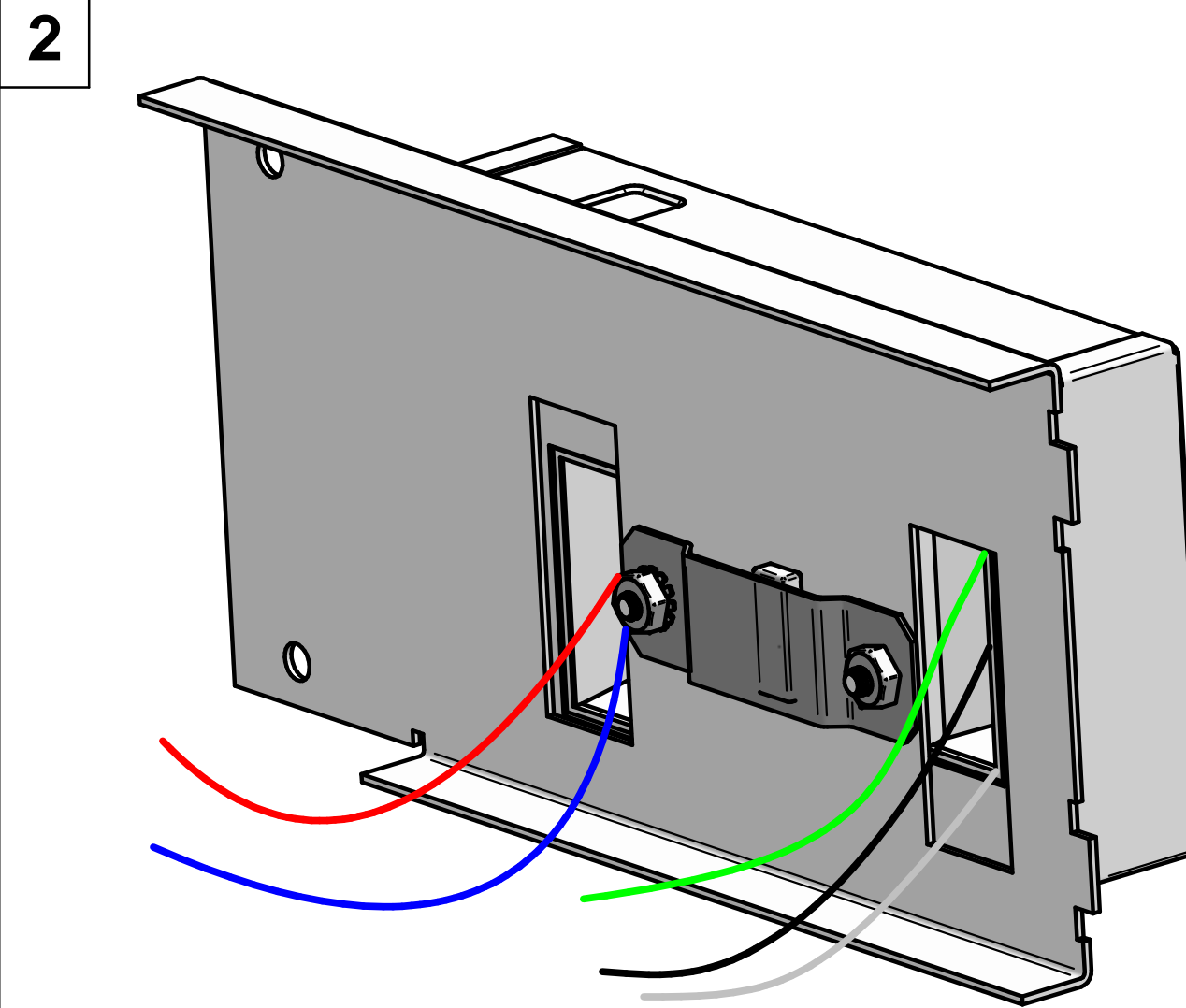


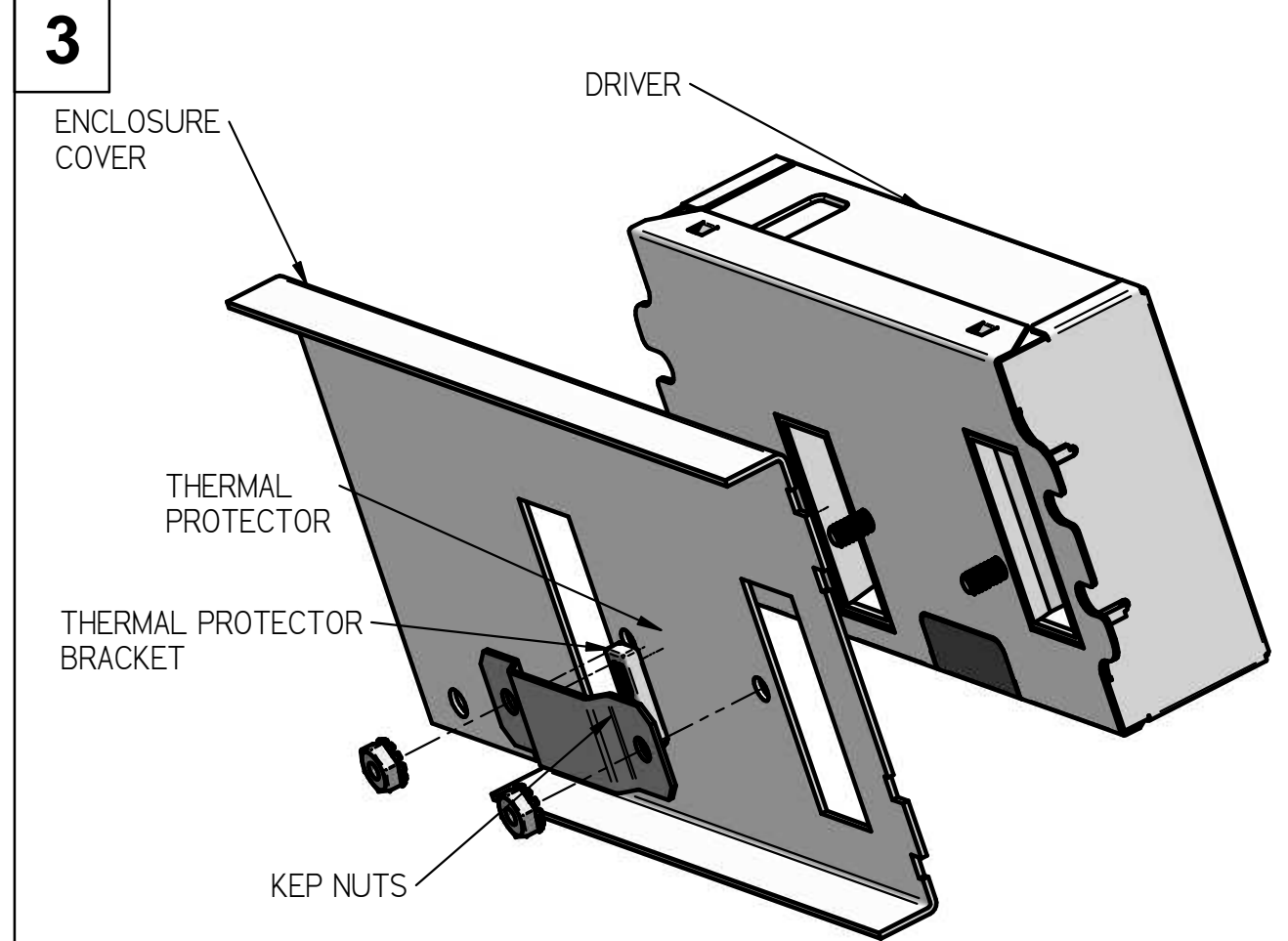
### 70L DRIVER REPLACEMENT



REMOVE COVER FROM ENCLOSURE

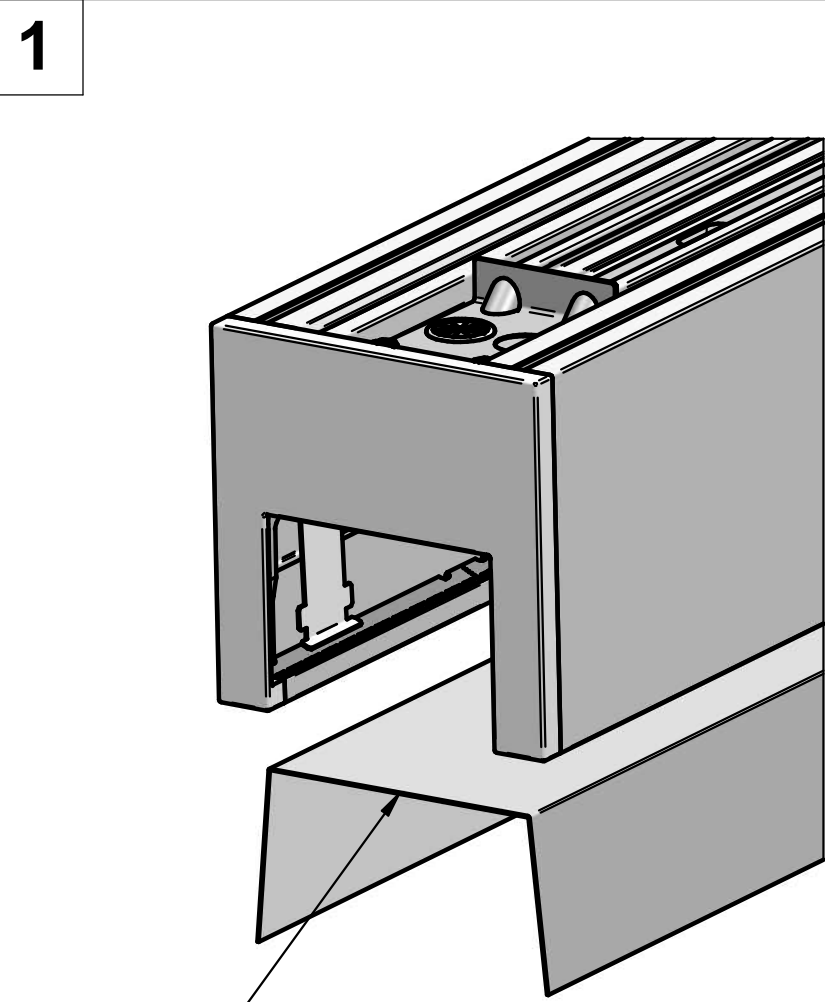


DISCONNECT DEFECTIVE DRIVER FROM WIRING. MAKE NOTE OF HOW THE DRIVER IS WIRED SO THE REPLACEMENT DRIVER IS WIRED CORRECTLY.



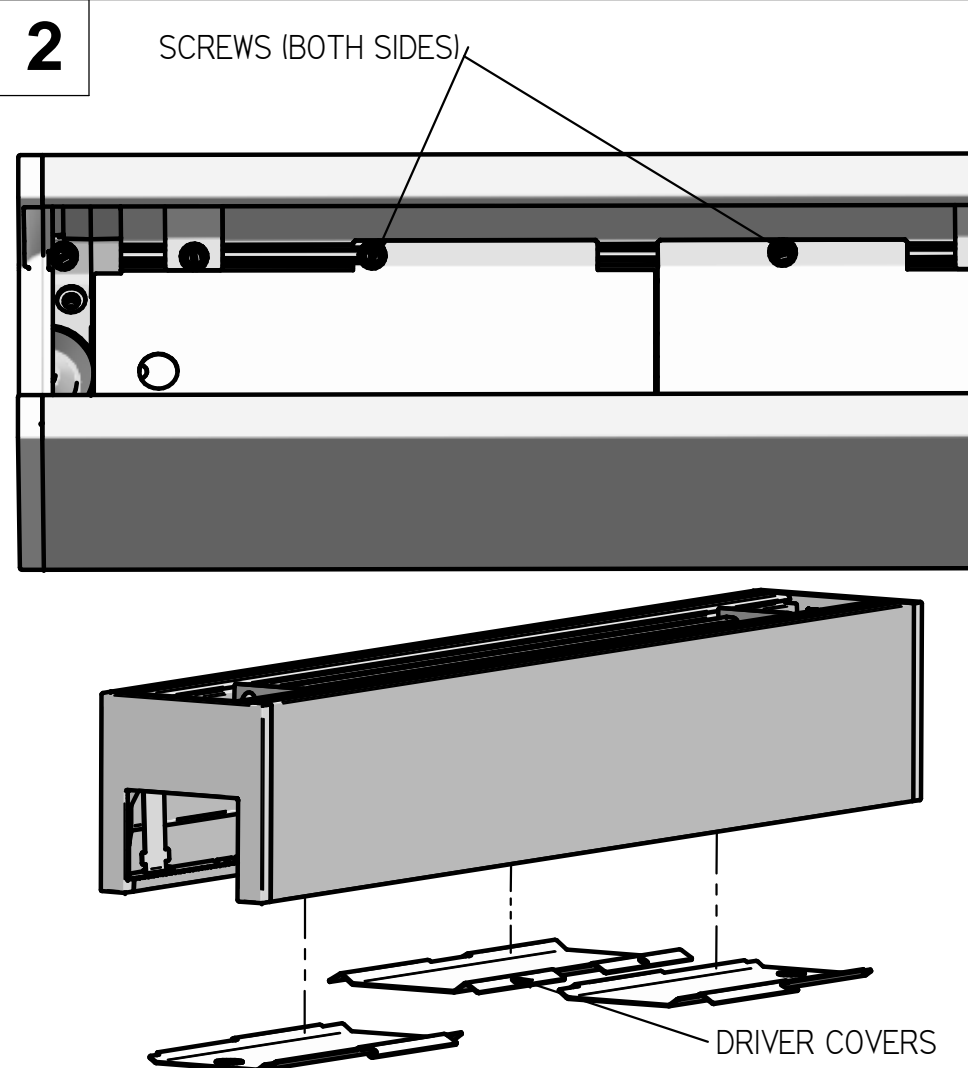
REMOVE THE TWO BOLTS FROM DRIVER AND REMOVE DRIVER FROM ENCLOSURE. FOLLOW STEPS IN REVERSE ORDER TO REINSTALL REPLACEMENT DRIVER. ENSURE THERMAL PROTECTOR IS SECURED BEHIND BRACKET.

### 75L DRIVER REPLACEMENT

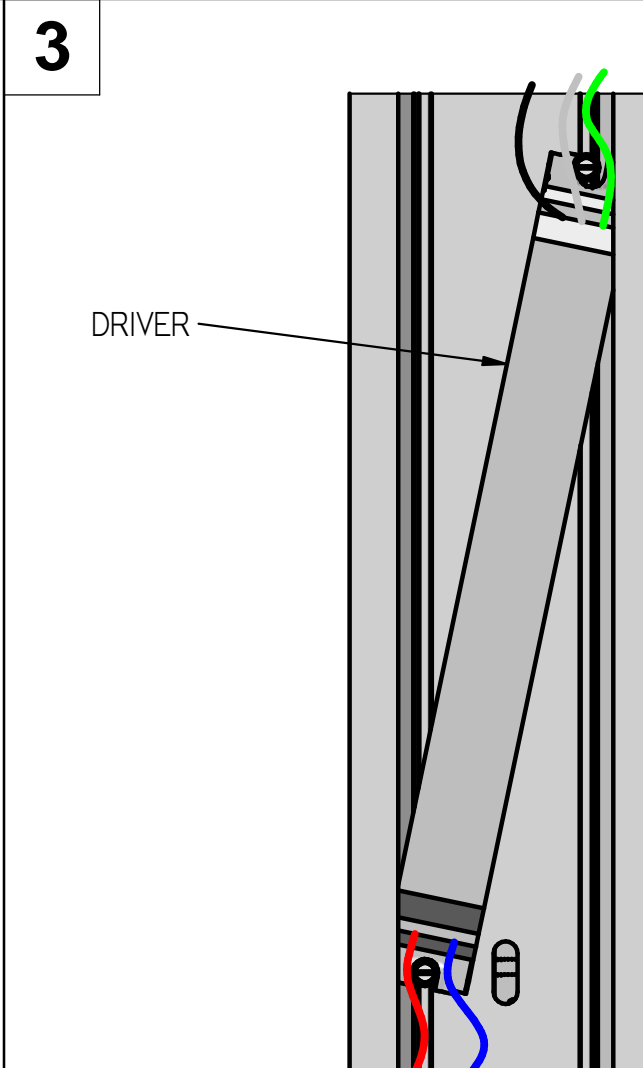


REFLECTOR

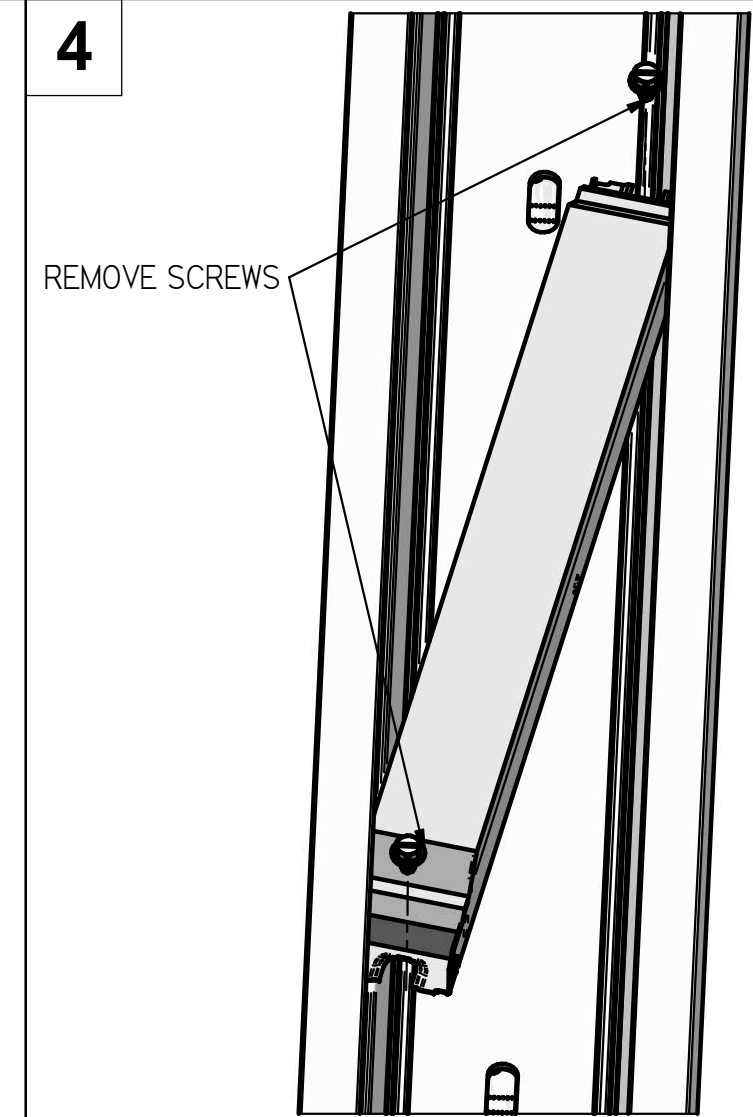
REMOVE REFLECTOR FROM FIXTURE.



REMOVE DRIVER COVER FROM ENCLOSURE. MAY NEED TO REMOVE MULTIPLE COVERS DEPENDING ON THE FIXTURE LENGTH AND NUMBER OF DEFECTIVE DRIVERS.



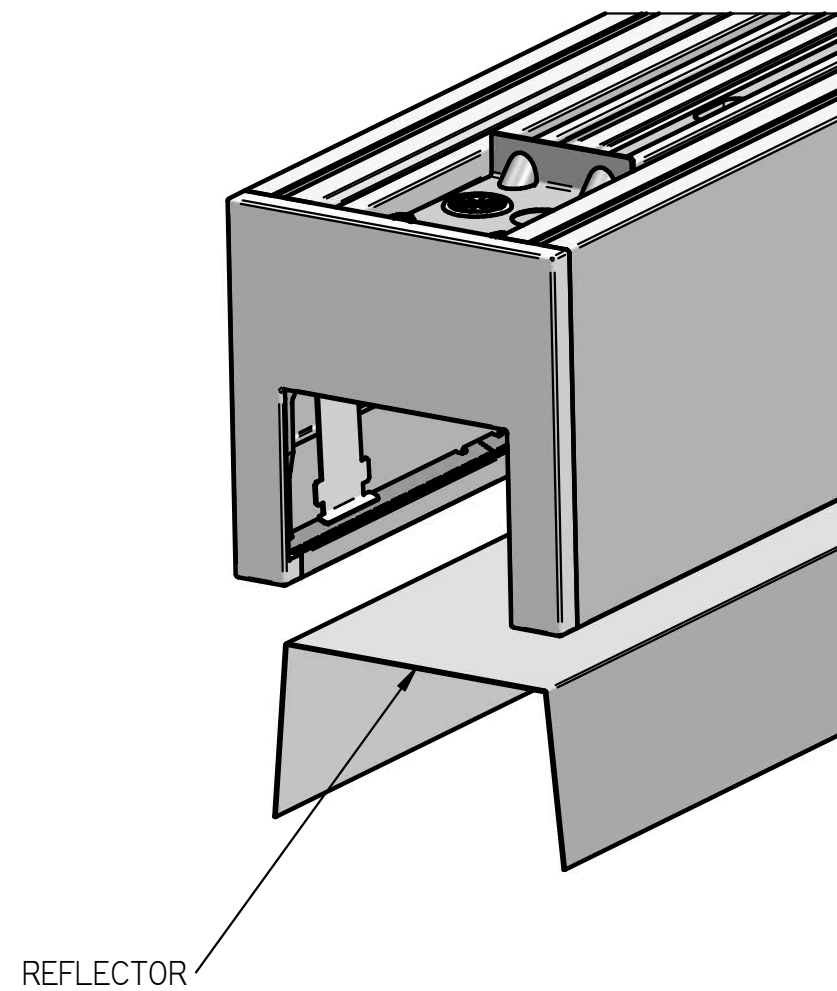
DISCONNECT WIRING FROM DRIVERS. MAKE NOTE OF HOW THE DRIVER IS WIRED SO THAT THE REPLACEMENT IS WIRED CORRECTLY.



REMOVE SCREWS THAT SECURE DRIVER TO FIXTURE. FOLLOW STEPS IN REVERSE ORDER TO INSTALL REPLACEMENT DRIVER.

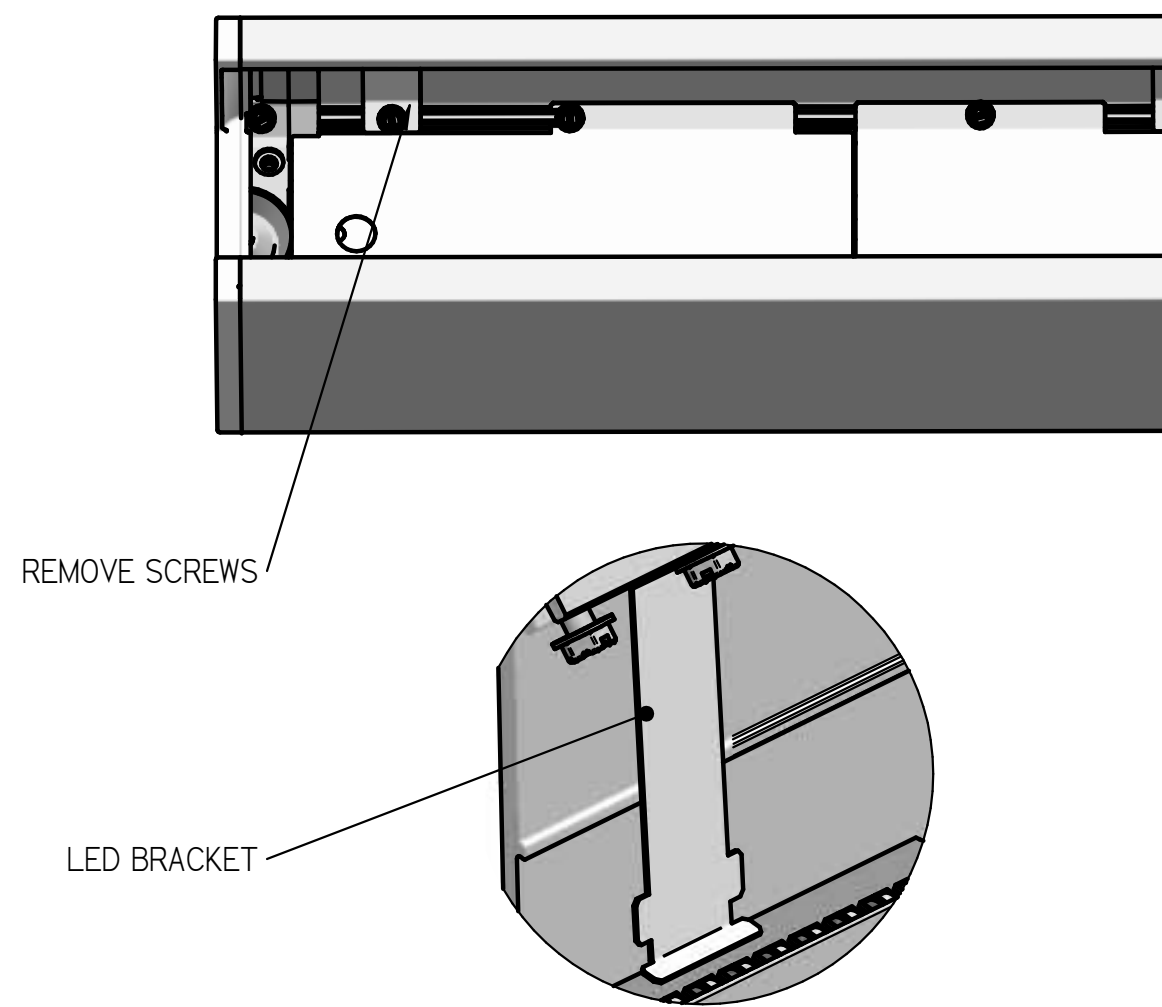
## LED BOARD REPLACEMENT

1



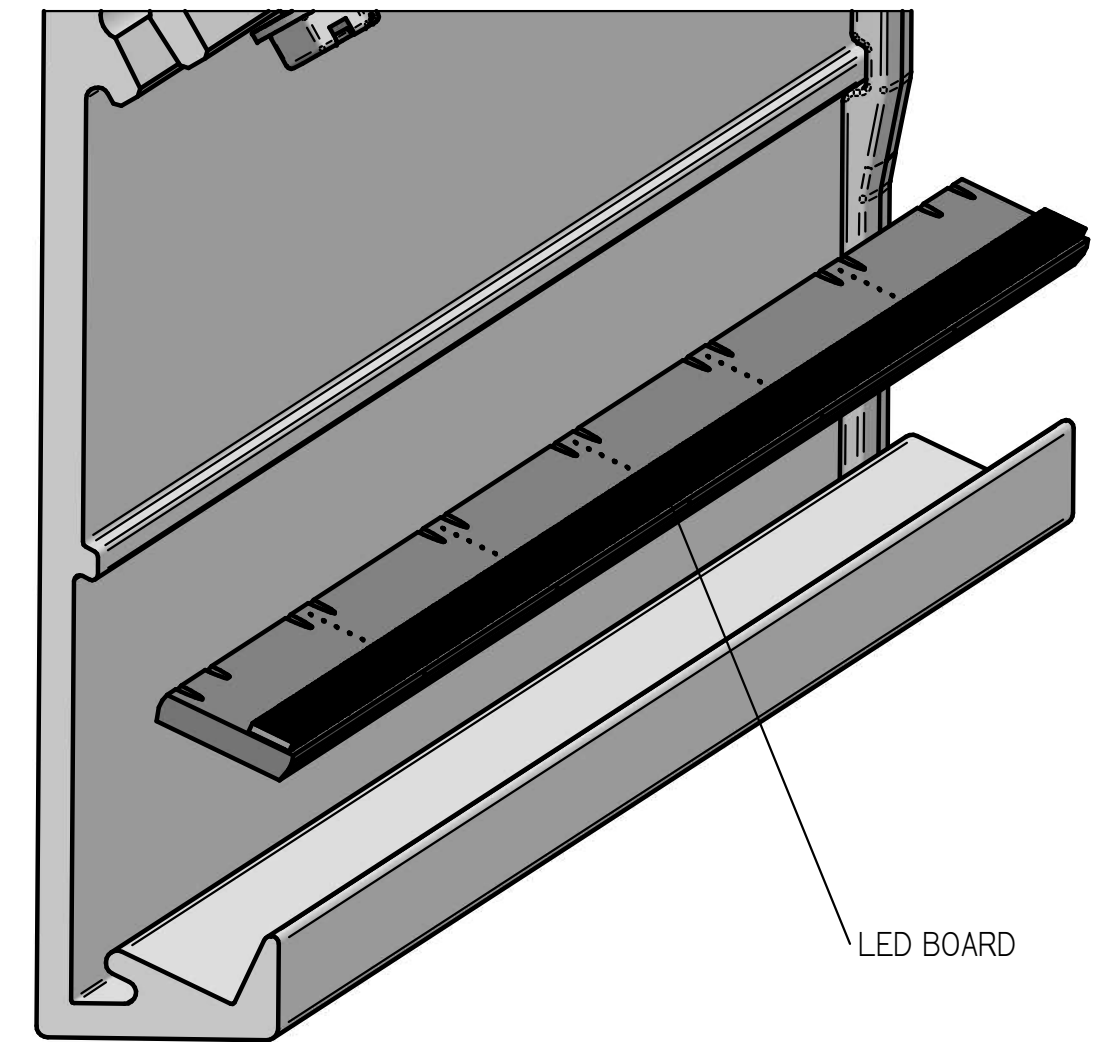
REMOVE REFLECTOR FROM FIXTURE.

2

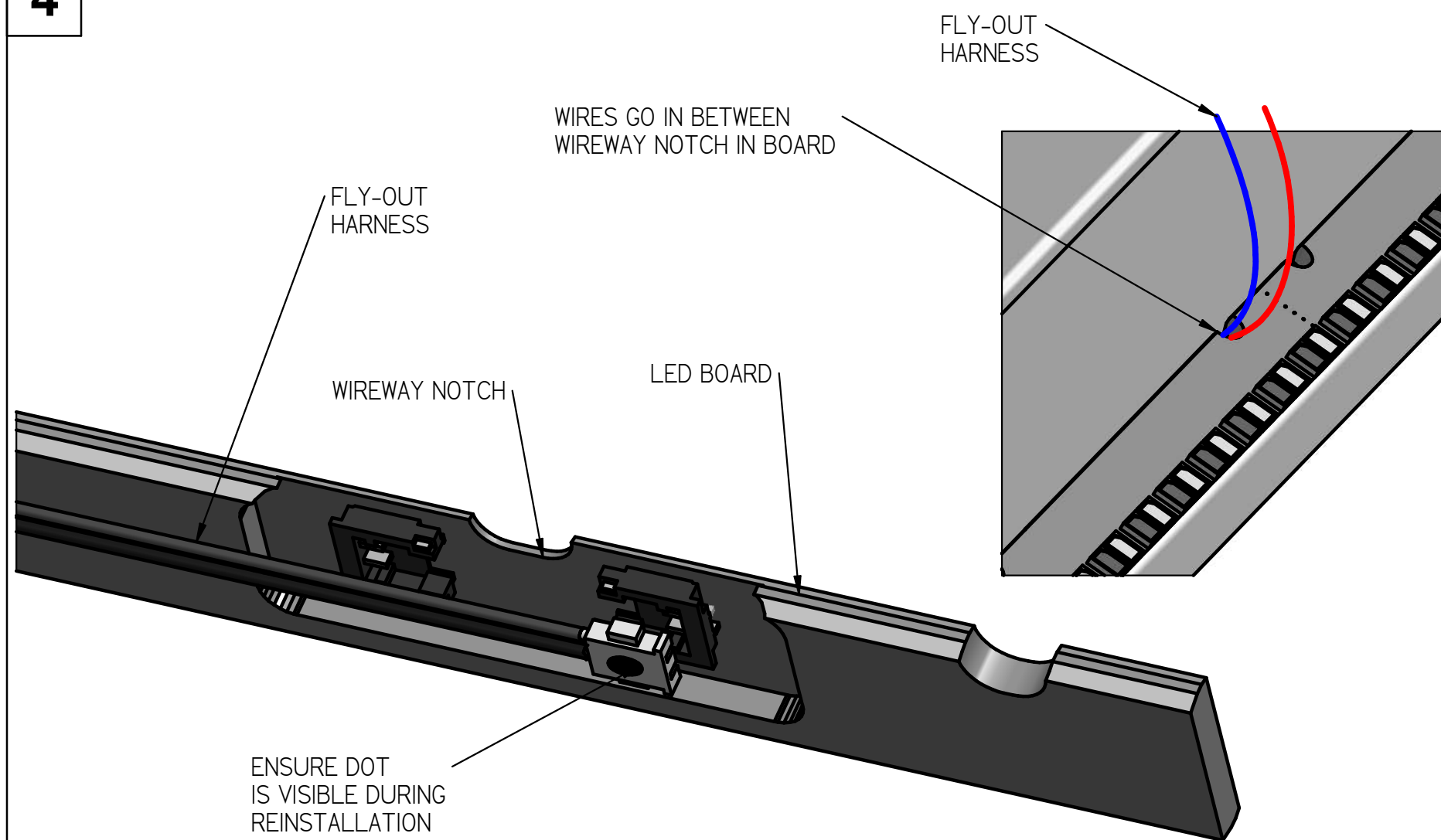


REMOVE LED BRACKETS AS NEEDED.

3

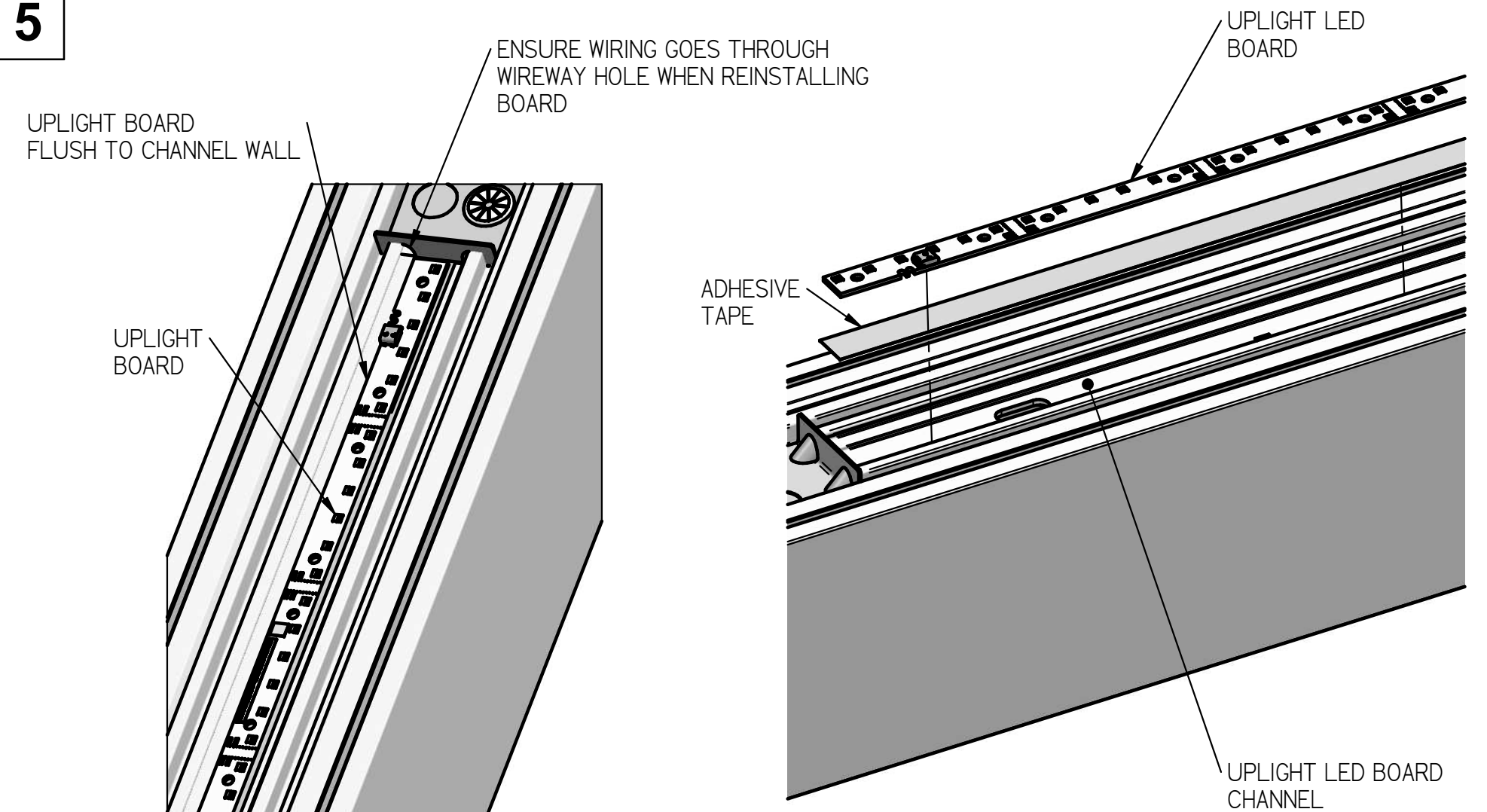


4



DISCONNECT LED BOARD(S) WIRING. FOLLOW STEPS IN REVERSE ORDER TO INSTALL REPLACEMENT BOARDS. ENSURE LED CONNECTORS ARE PLACED IN THE WIREWAY ON THE BOARDS TO AVOID PINCHED WIRES.

5



FOR UPLIGHT BOARDS, REMOVE DEFECTIVE BOARD(S) FROM FIXTURE AND DISCONNECT. REMOVE OLD ADHESIVE FROM FIXTURE AND REPLACE WITH NEW ADHESIVE. PLACE NEW BOARD FLUSH TO CHANNEL ON FIXTURE. WIRE ACCORDINGLY.